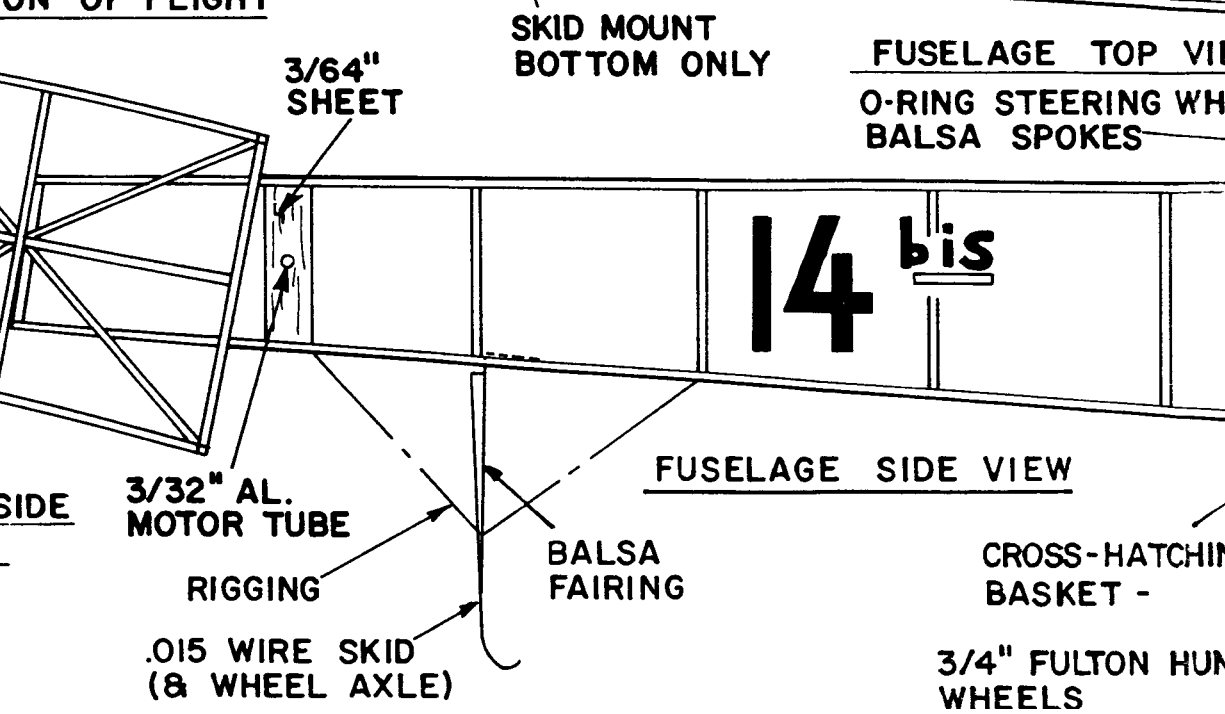
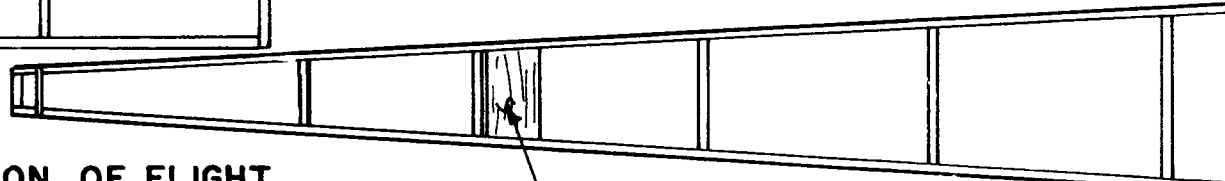
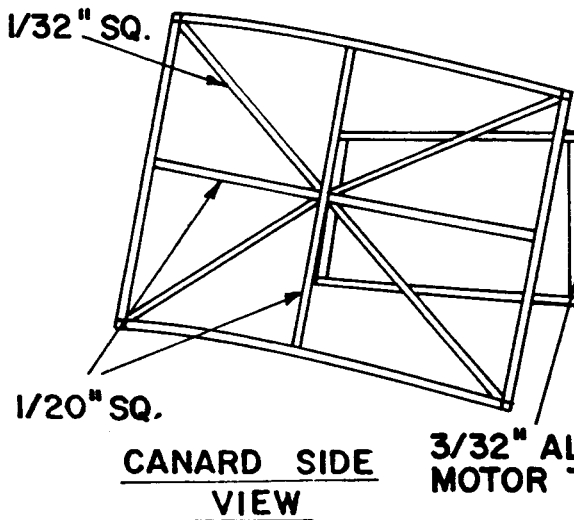


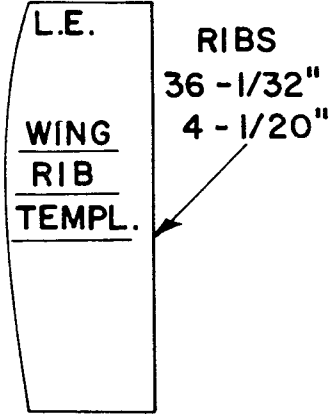
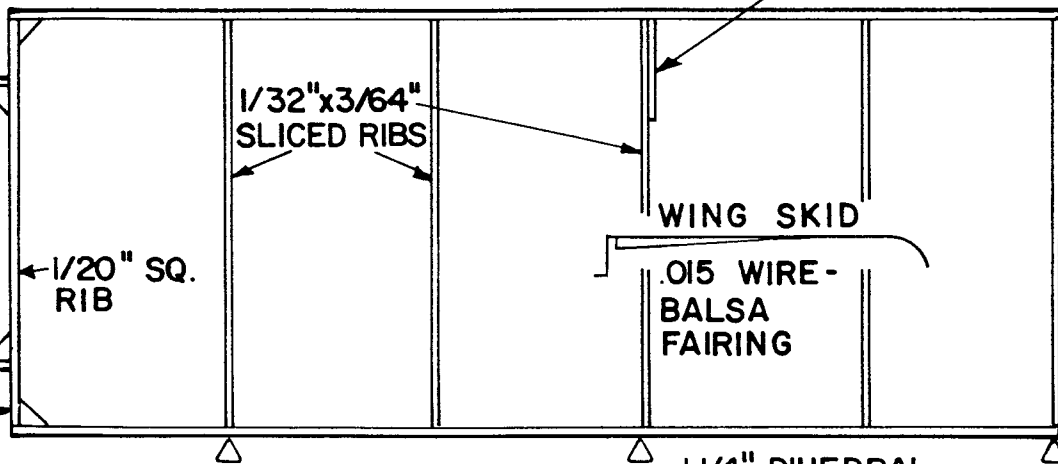
CANARD TEMPLATE

DIRECTION OF FLIGHT



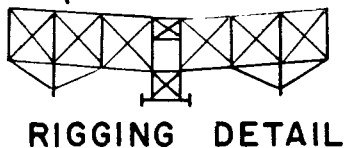
JTS

BOTTOM BRACE FOR WING SKID

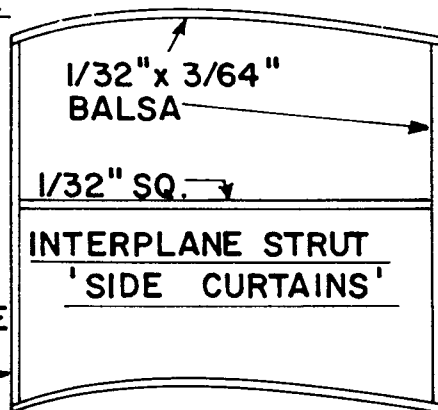


Q. HD. BALSA (TO ROUND)

WING BRACING ON L.E. & T.E. OF BOTH WINGS



6 REQUIRED COVER BEFORE INSTALLING



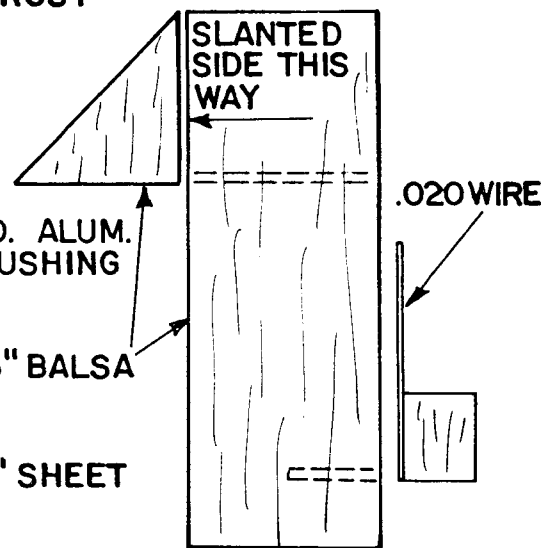
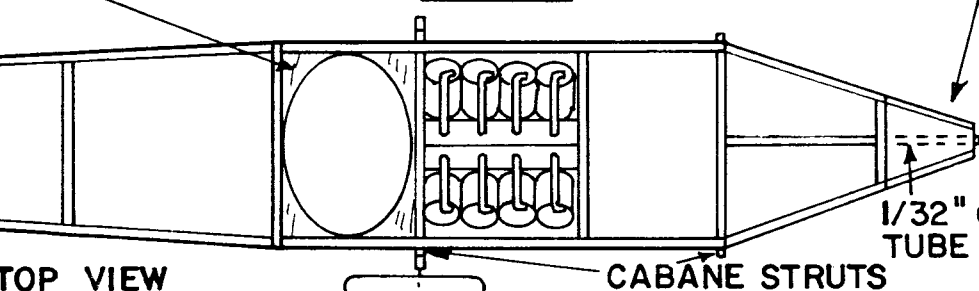
△ DENOTES INTERPLANE LOCATIONS

4" CYLINDER. HT OF VERTICAL. AT 200°-

DUMMY MOTOR



3° LEFT THRUST

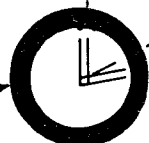


PROP. JIG ASSEMBLE AS SHOWN

COVER FORWARD TO HERE

HATCHING WOVEN T -

ON HUNGERFORD



CABANE STRUTS 3/64" SQ. HD. BALSA

PROP. JIG ASSEMBLE AS SHOWN

DON SRULL'S SANTOS-DUMONT 14 bis

PEANUT SCALE DRAWN BY LARRY KRUSE